

University of Arizona
Student Satellite Project
“UASat”

Winter 1999 Progress Review

January 26, 1999



Purpose of SSP

1. A hands-on experience through team work on a complex system with an objective
2. A needed channel for many students to gain self-confidence & employable skills
3. An example of intercollegiate, inter-departmental, and interdisciplinary collaboration
4. An avenue to enhance beneficial interactions among university and community
5. A test-bed for innovative ideas in a wide variety of areas



“The Student Satellite Project at the University of Arizona is the best evidence I have discovered anywhere of the creative initiative of Americans committed to the Space Program, which has been an important part of my life for forty years.

When I joined JPL as a young engineer in 1958, soon after the launch of America's first satellite, the adventure of space exploration had captured the imagination of young people all over America, and there was no bureaucracy to slow us down. The new NASA in 1998 recognizes the importance of youthful energy and innovative capacity, and welcomes such initiatives as the SSP. This is a very exciting development, heralding a new day for both NASA and our students. They have done their part, with the encouragement of the University of Arizona. Now it is time for the community to step up to the challenge of demonstrating that all of Arizona stands behind this incredible initiative of the young men and women of the SSP who are reaching beyond the skies.”

Peter Likins, June 17, 1998.

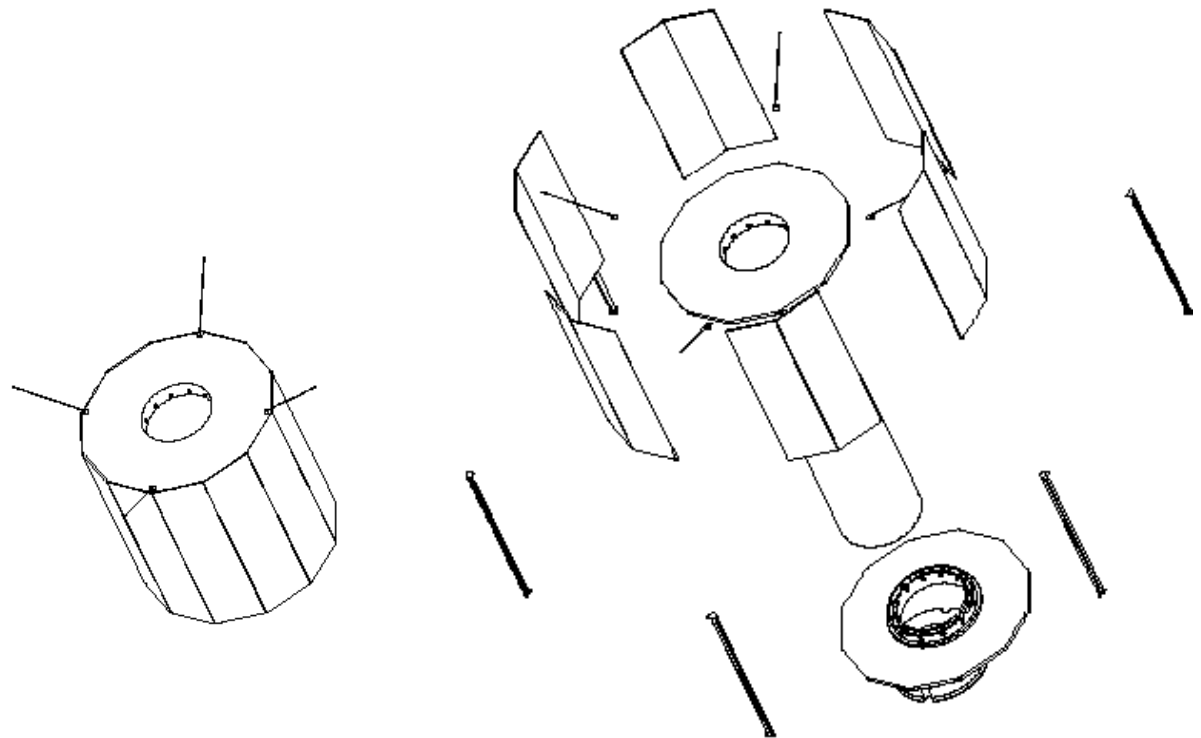
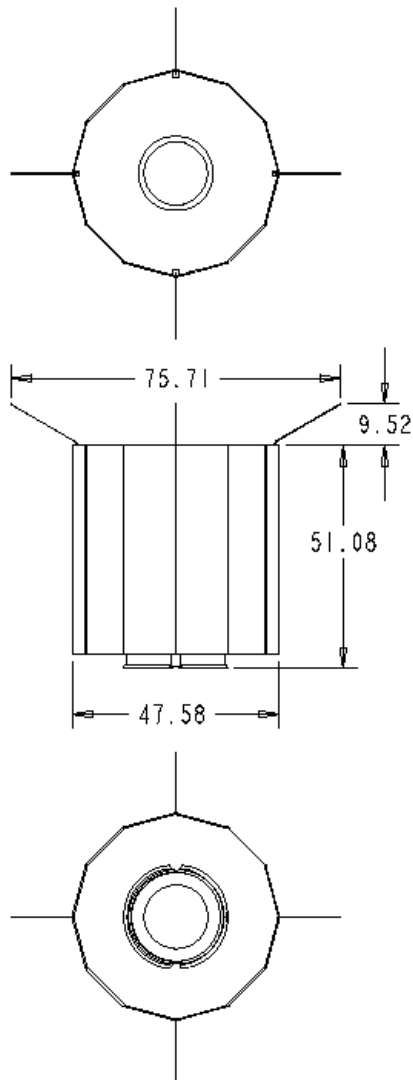


Current Project Schedule

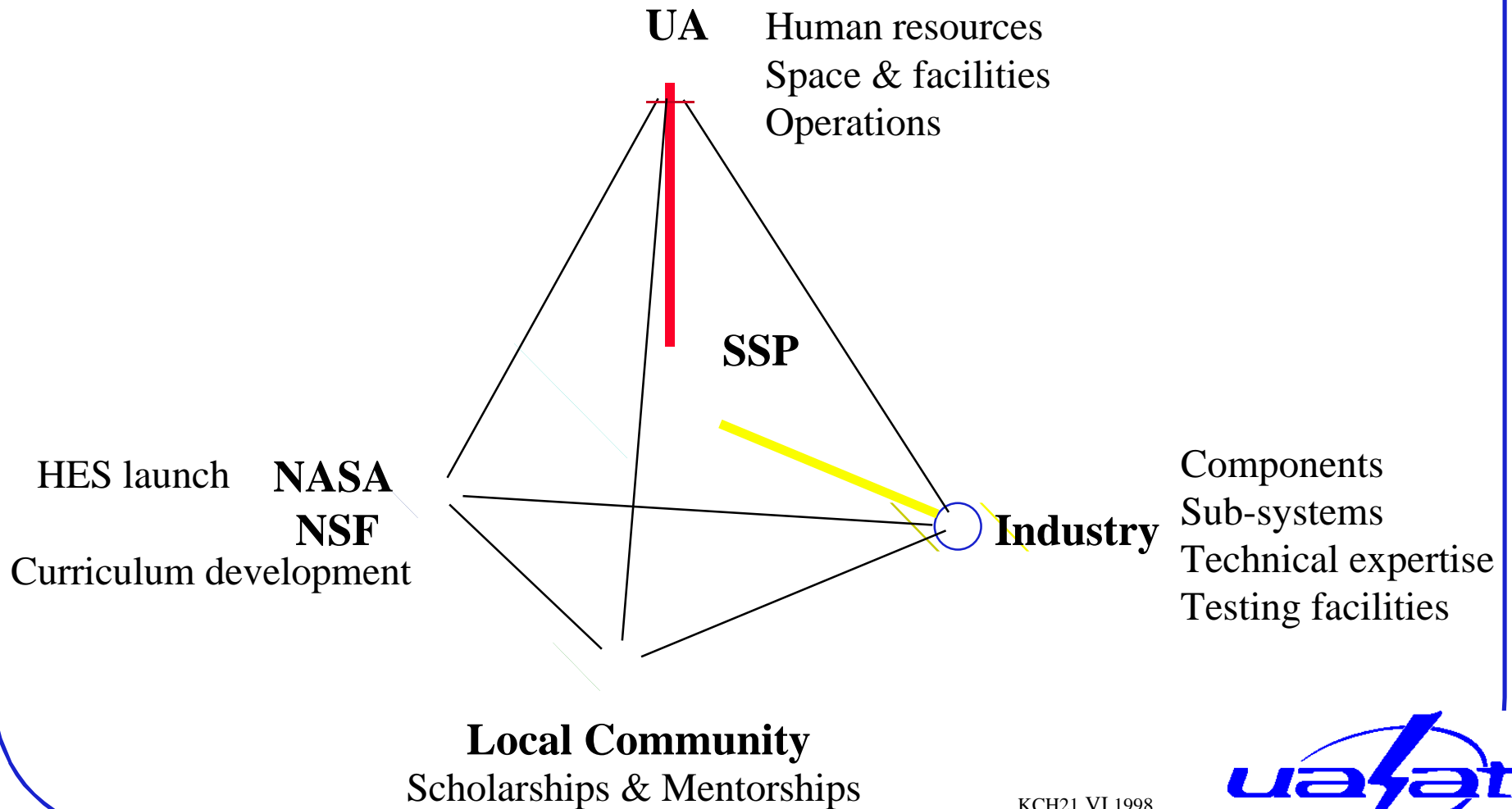
- Requirements Review (Completed 8/18/98)
- Preliminary Design Review (mid-'99)
- Critical Design Review (Spring '00)
- Delivery (Spring '02)
- Earliest Launch Opportunity (Summer '02)



Hitchhiker Ejected Satellite



SSP needs the support from the four vertices: UA, Local Community, Industry, & Gov't



How to Contact SSP

- SSP HQ
 - Physics and Atmospheric Sciences, Room 569
- Phone
 - (520) 621-2574
- Email:
 - ssp-admin@physics.arizona.edu
- World Wide Web
 - <http://www.physics.arizona.edu/ssp/>

